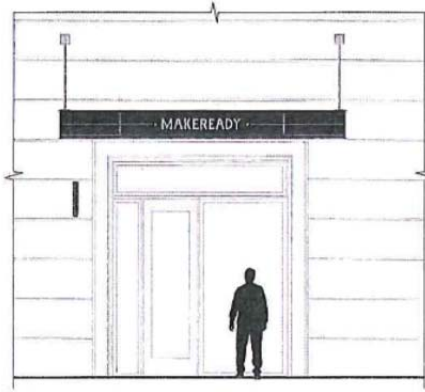


29'-2" +/-
From Grade
To Bottom
of Sign

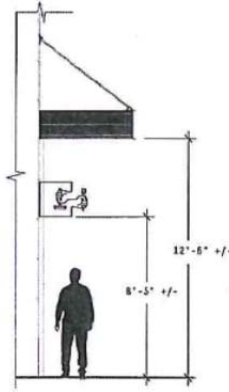
① Elevation
Scale: 1/8" = 1'-0"

No.	Description	Date
1	MAKEREADY	02/13/21
2	NOELLER	02/13/21

Elevation
PAGE
02



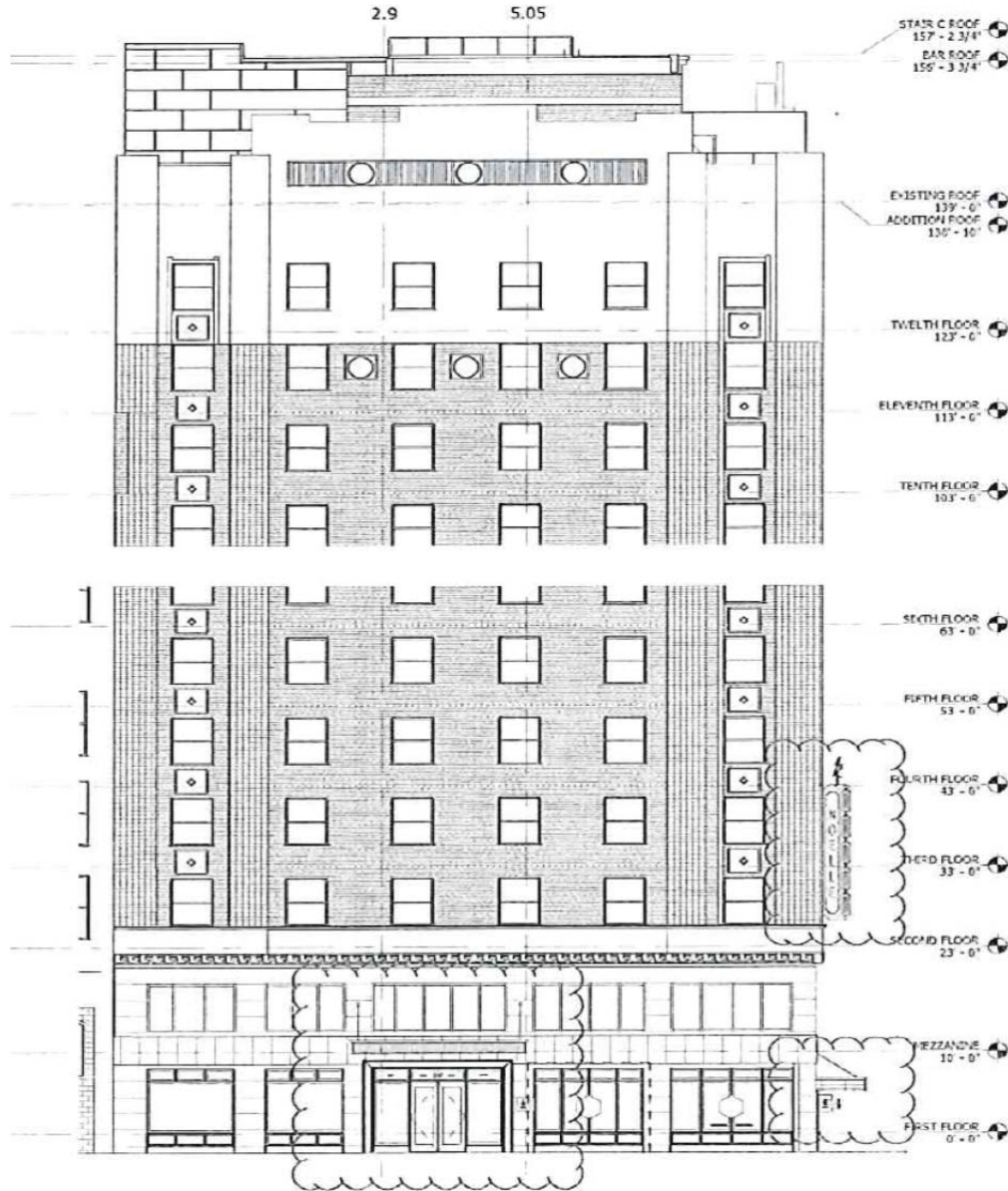
① Elevation
Scale: 1/4" = 1'-0"



② Elevation
Scale: 1/4" = 1'-0"

No.	Description	Date
1	MAKEREADY	02/13/21
2	NOELLER	02/13/21

Elevation
PAGE
09



WEST ELEVATION
 SCALE: 1/16" = 1'-0"
 NORTH

FELTUS HAWKINS DESIGN
 JESSA HAWKINS, AIA | 615-244-4329
 NASHVILLE, TN 37203 | WWW.FHDESIGN.COM

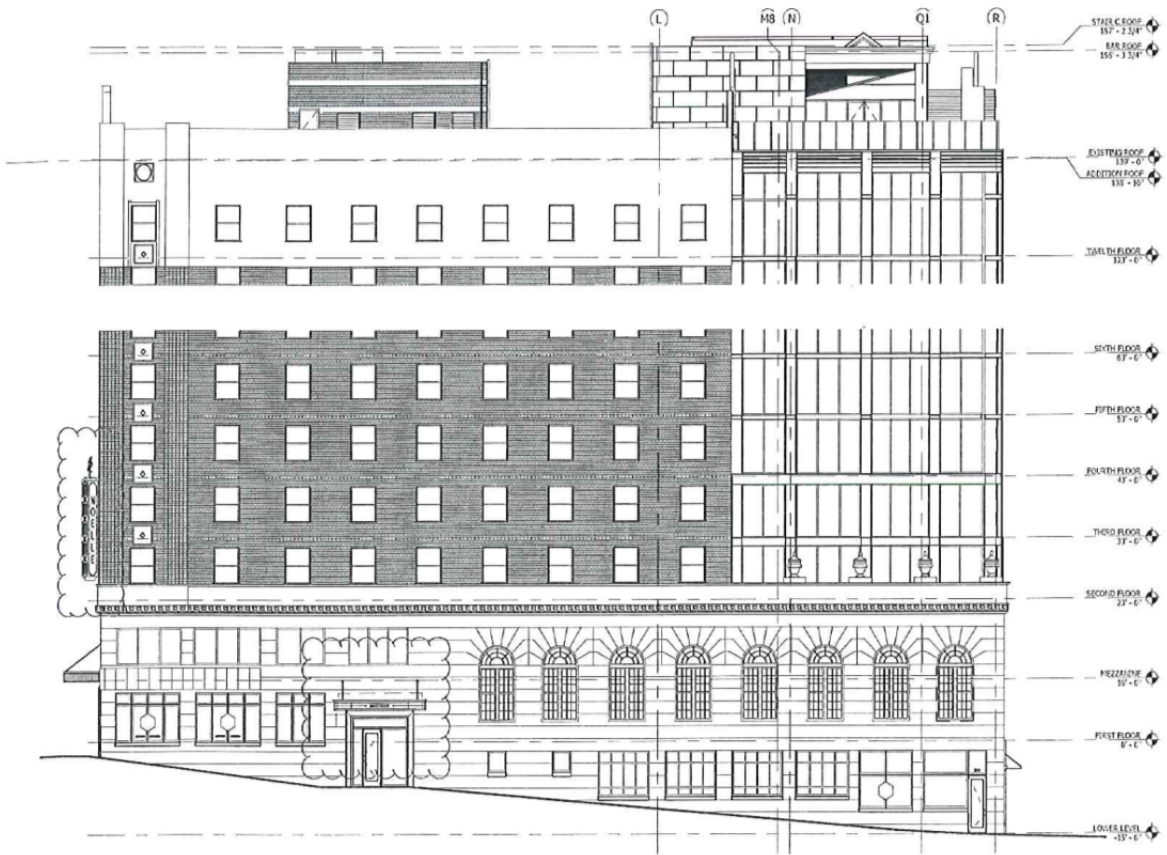
© 2016 Feltus Hawkins Design, LLP. All Rights Reserved.

NOEL PLACE HOTEL
 200 4th Avenue North

Nashville Tennessee

PHD project #	
Drawn by	
Checked by	
Issue	






SOUTH ELEVATION
 SCALE: 1/16" = 1' - 0"

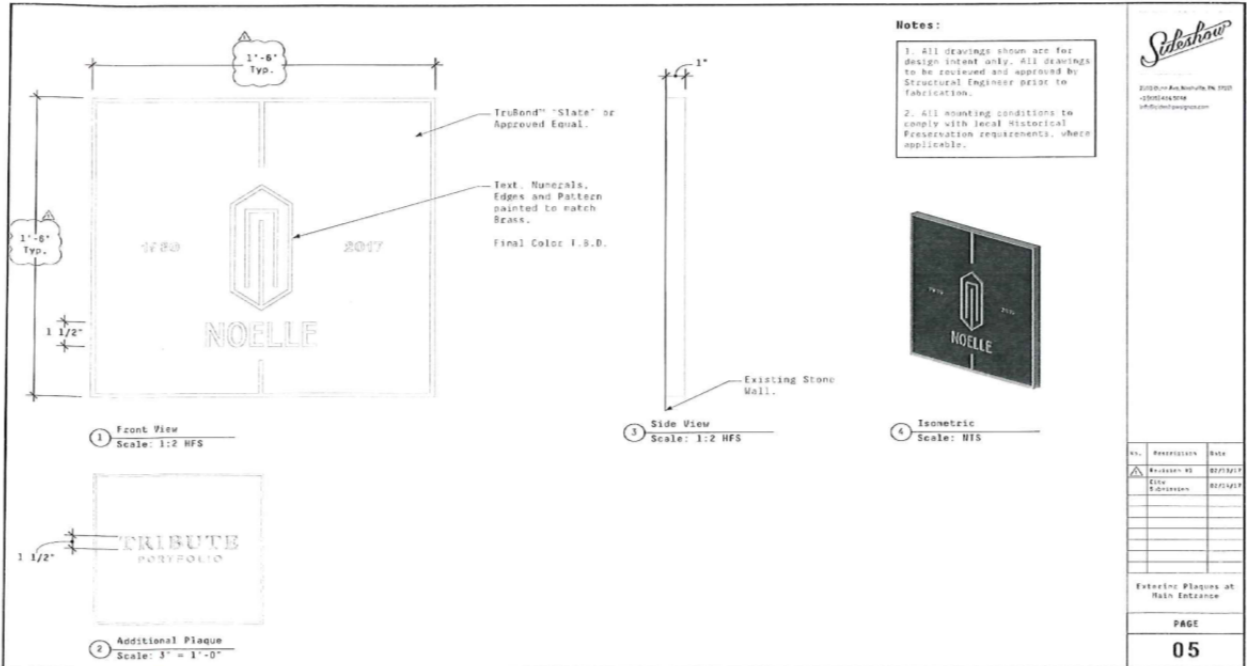
FELTUS HAWKINS DESIGN
 1200A HICKORY ST. | S.E. 12th AVE. #114
 NASHVILLE, TN 37203 | WWW.FHARCHITECT.COM
 P: 615.259.1144
 F: 615.259.1145



NOEL PLACE HOTEL
 200 4th Avenue North
 Nashville

Project #	
Drawn by	
Checked by	
Date	
Disc #	
Sheet #	
Total #	





Sedshaw
2020 Donkey Mountain, PA 17053
481.617.4645
info@sedshaw.com

NO.	REVISION	DATE
1	Revision #1	02/13/21
2	Revision #2	02/14/21

Existing Plaques at Main Entrance

PAGE
05

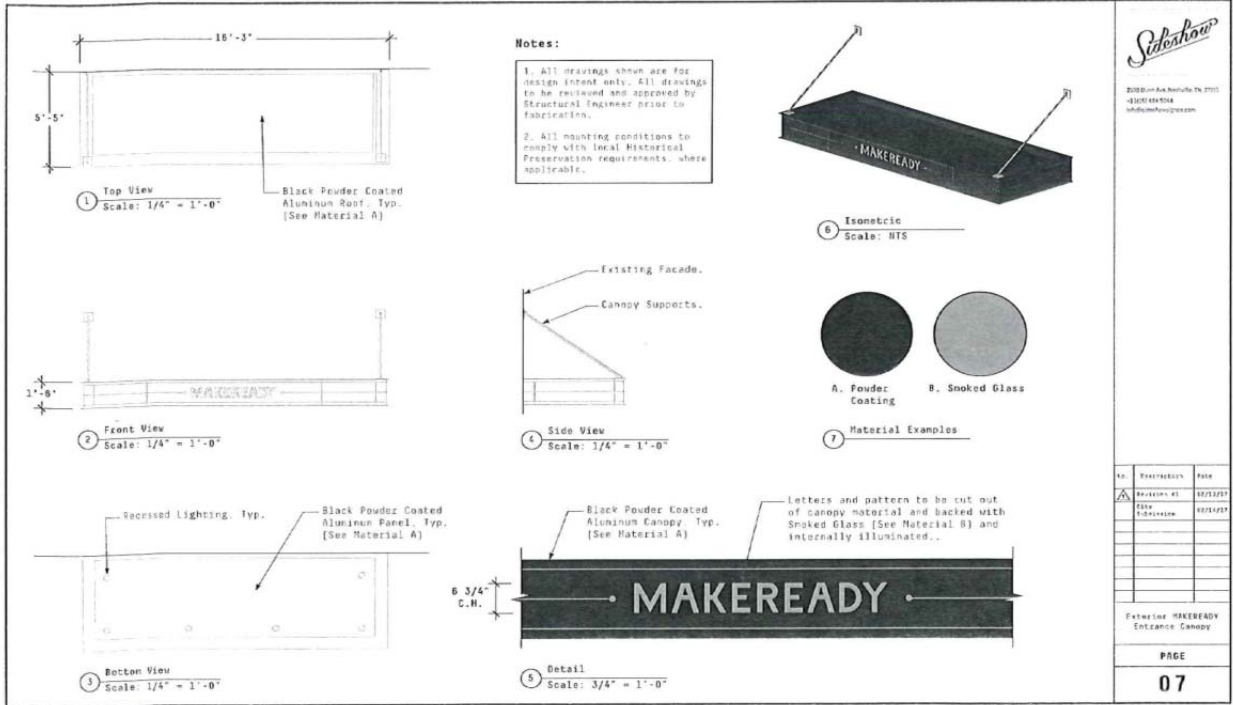


Sedshaw
2020 Donkey Mountain, PA 17053
481.617.4645
info@sedshaw.com

NO.	REVISION	DATE
1	Revision #1	02/13/21
2	Revision #2	02/14/21

Elevation

PAGE
06



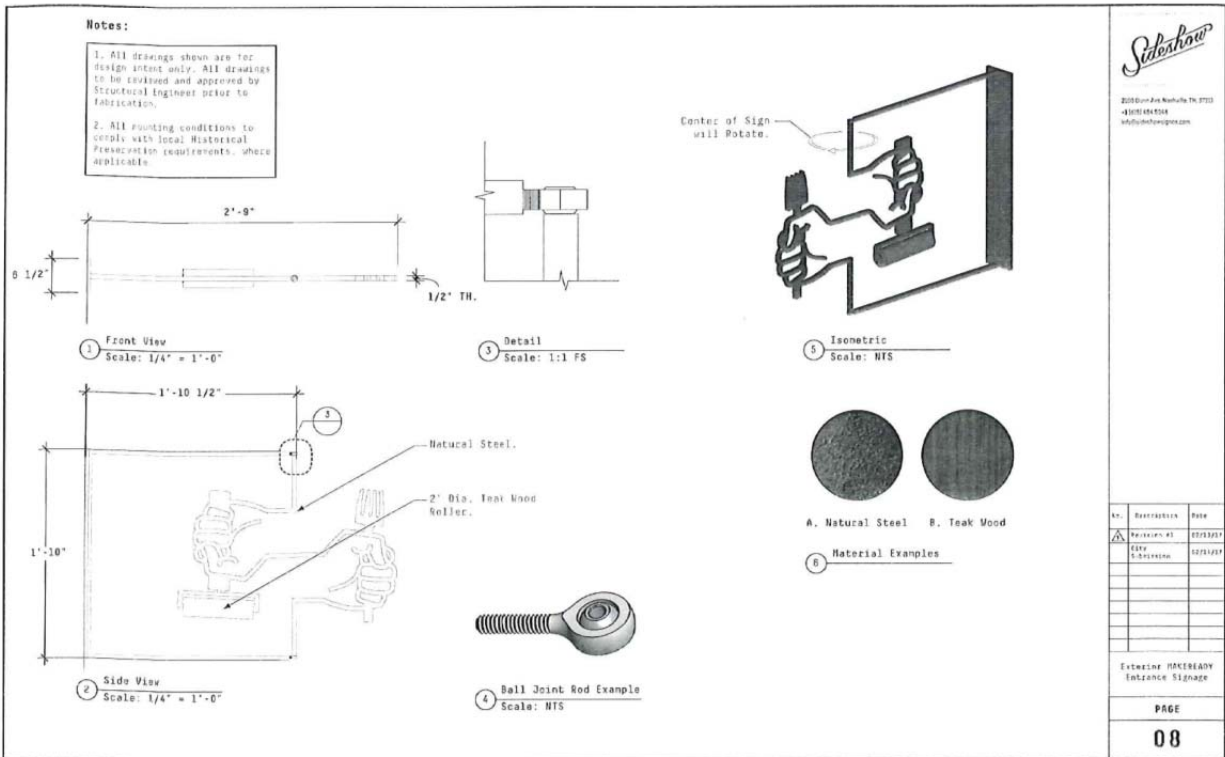
Salshow

2000 Ave. Nashville, TN 37213
+1(615) 484-9104
info@salshow.com

No.	DESCRIPTION	Date
1	PROVISIONAL	02/23/23
2	REVISED	02/23/23
3	REVISED	02/23/23
4	REVISED	02/23/23
5	REVISED	02/23/23
6	REVISED	02/23/23
7	REVISED	02/23/23
8	REVISED	02/23/23
9	REVISED	02/23/23
10	REVISED	02/23/23

Estimate for MAKEREADY Entrance Canopy

PAGE
07



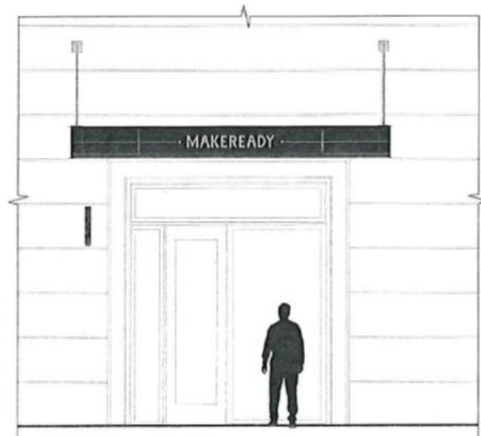
Salshow

2000 Ave. Nashville, TN 37213
+1(615) 484-9104
info@salshow.com

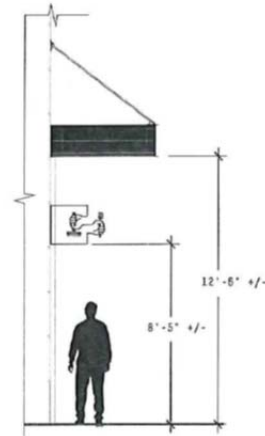
No.	DESCRIPTION	Date
1	PROVISIONAL	02/23/23
2	REVISED	02/23/23
3	REVISED	02/23/23
4	REVISED	02/23/23
5	REVISED	02/23/23
6	REVISED	02/23/23
7	REVISED	02/23/23
8	REVISED	02/23/23
9	REVISED	02/23/23
10	REVISED	02/23/23

Estimate for MAKEREADY Entrance Signage

PAGE
08



① Elevation
Scale: 1/4" = 1'-0"



② Elevation
Scale: 1/4" = 1'-0"

NO.	DESCRIPTION	DATE
1	PRELIMINARY	02/22/2021
2	REVISED	02/22/2021

Elevation

PAGE

09

