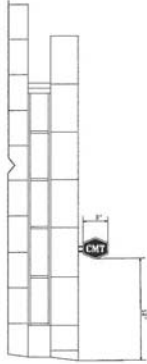
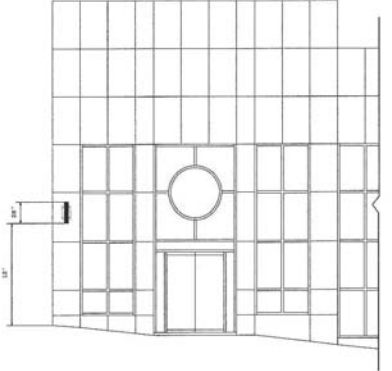


Project / Client: CMT LOGO BLADE SIGN Location: 330 Commerce Street - Nashville, Tennessee Project Manager: Madeline Westfall - Madeline@bladeshowstaging.com



WEST ELEVATION - PREVIOUS ALLEY
1/8" = 1'



SOUTH ELEVATION - COMMERCE STREET
1/8" = 1'

**ILLUMINATED
BLADE SIGN**


ELECTRICAL

INTERNAL LEDS

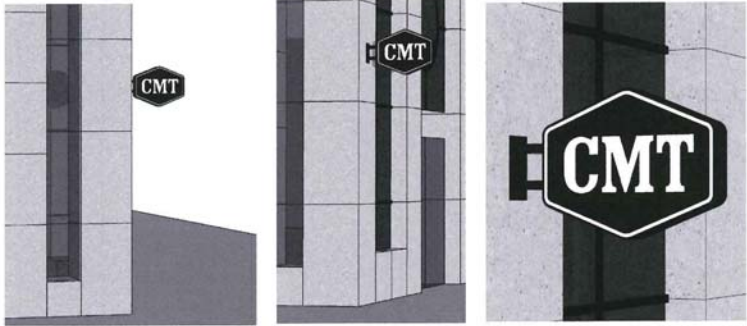
ALLOWANCES City Codes:

Allow: _____ Protection: _____
 Material: _____ Clearance: _____
 Dimensions: _____

Note: All materials and drawings are
 subject to the approval of the City of Nashville and
 the Tennessee Department of Transportation. The
 designer is not responsible for any errors or
 omissions in this document.


 2100 Dunes Ave.
 Nashville, TN 37212

Project / Client: CMT LOGO BLADE SIGN Location: 330 Commerce Street - Nashville, Tennessee Project Manager: Madeline Westfall - Madeline@bladesignage.com



ILLUMINATED
BLADE SIGN

SPEC

ELECTRICAL

INTERNAL LEDS

ALLOWANCES City Codes

Sign: _____ Height: _____
Material: _____ Clearance: _____

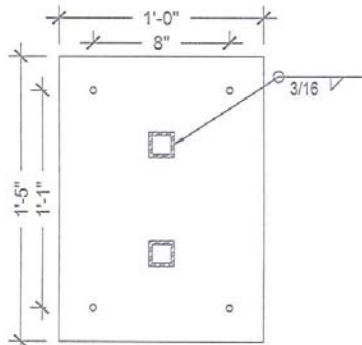
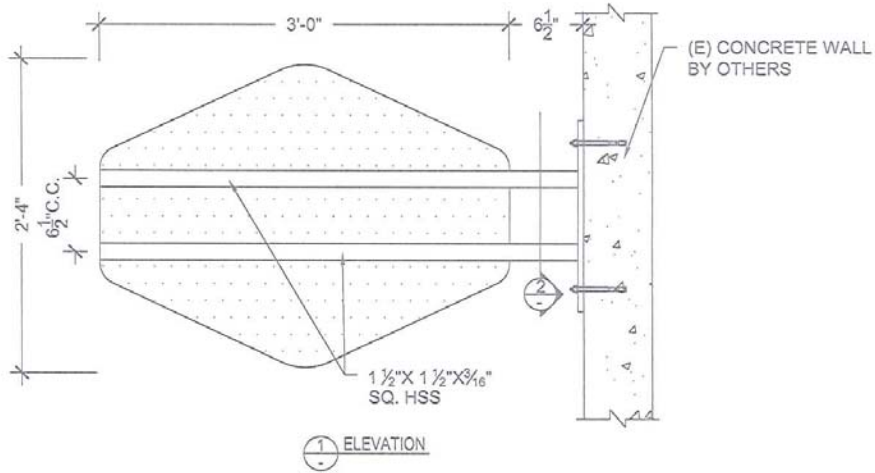
Notes: All materials and finishes must be approved by the City of Nashville. The client shall provide all necessary permits and approvals. *Signature*
330 Duke Ave.
Nashville, TN 37203



10815 RANCHO BERNARDO RD., SUITE 260
 SAN DIEGO, CA 92198
 PROJECTMANAGER@SULLAWAYENG.COM
 PHONE: 1-858-312-5150 FAX: 1-858-777-3534

PROJECT: CMT - 2100 DUNN AVENUE, NASHVILLE, TN
 PROJECT #: 15424
 CLIENT: DESIGN TEAM SIGN COMPANY, LLC

DATE: 8-15-17
 ENGINEER: NC
 LAST REVISED:



17X12X1/2" STL. PLATE W/ (4)
 3/8" Ø SIMPSON STRONG BOLTS,
 EMBED 1.5" MIN. INTO
 CONCRETE WALL

GENERAL NOTES

1. DESIGN CODE: IBC 2012
2. DESIGN LOADS: ASCE 7-10
3. WIND VELOCITY 115 MPH EXPOSURE C
4. SQ. HSS STEEL ASTM A500 GR. B, Fy=46 KSI MIN.
5. PROVIDE PROTECTION AGAINST DISSIMILAR METALS
6. CONCRETE 2500 PSI MIN.
7. PLATE STEEL ASTM A36
8. SIMPSON STRONG BOLT PER ICC ESR-3037
9. ALL EXISTING CONDITIONS TO BE VERIFIED IN FIELD PRIOR TO INSTALLATION

8-15-17



